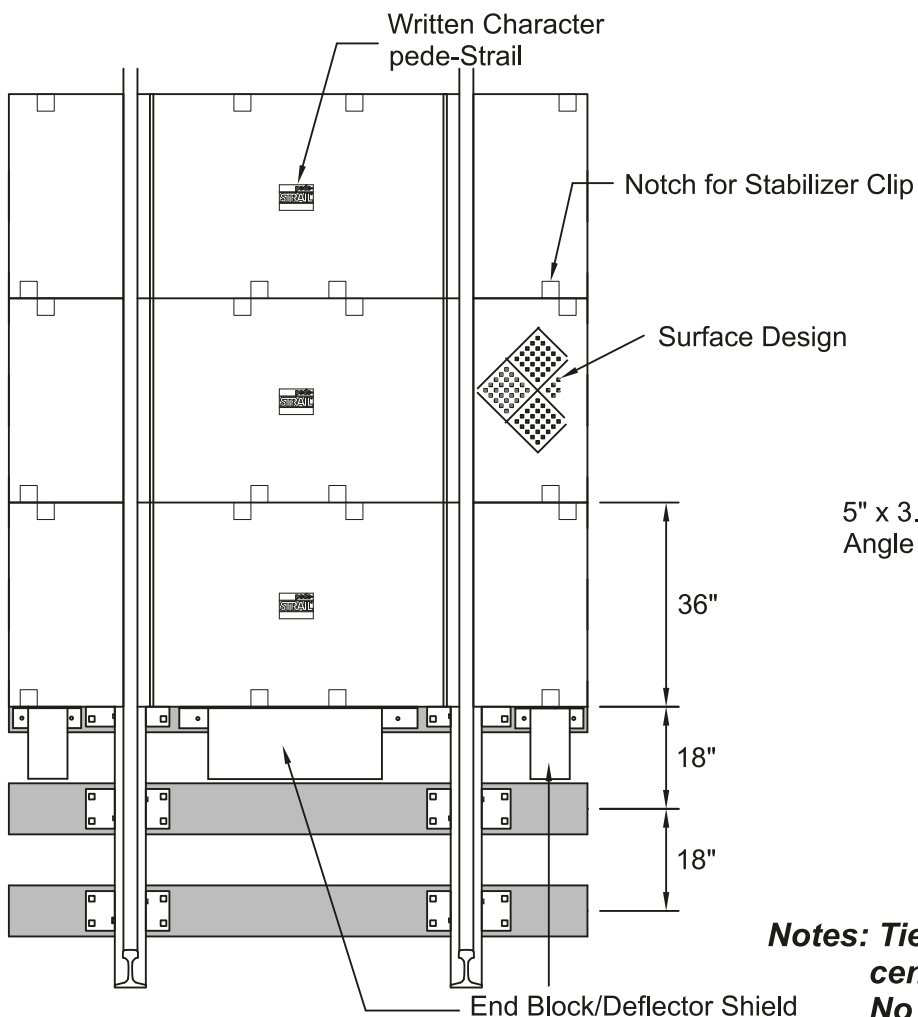
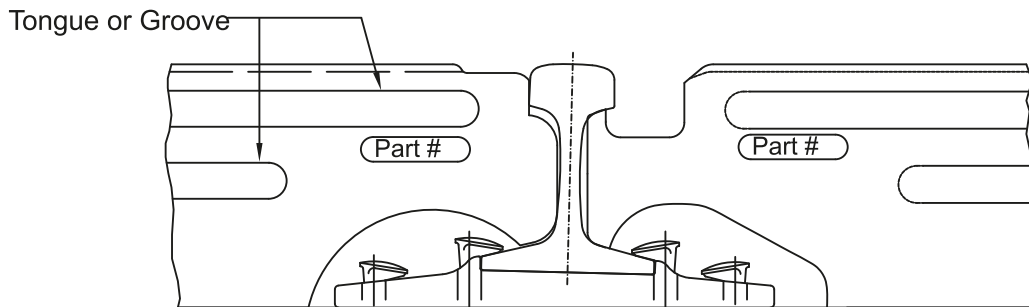
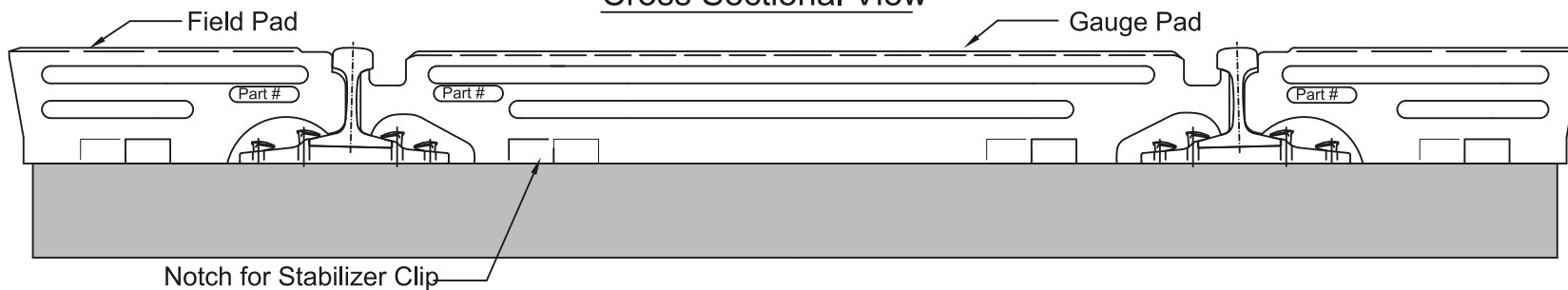
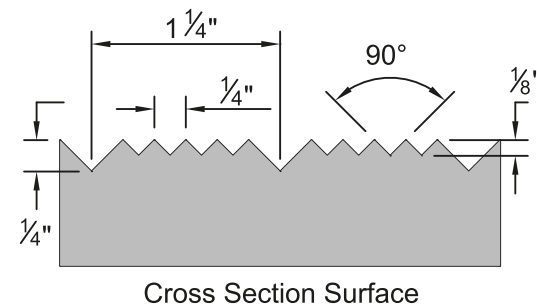
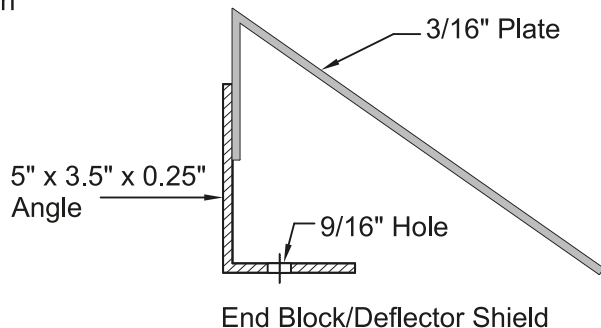


Cross Sectional View



View from the Top



**Each 3 Ft. Section  
Consists of:**  
1 GaugePad  
2 Field Pads

**Notes: Ties are to be spaced 18" on center through the crossing. No rail joints through the crossing, rail must be welded.**



**HiRAIL Corporation**

Full Depth Rubber  
System Drawing, Wood Ties, Pedestrial

Drwg: System Wood Ties  
No FB

Drawn: wjb 012908	Rev.
Rev. wjb 071408	Rev.
Rev.	Rev.