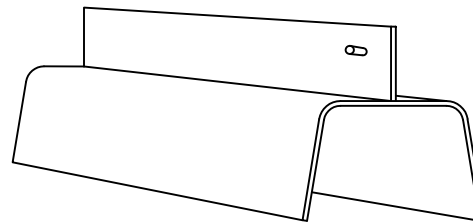
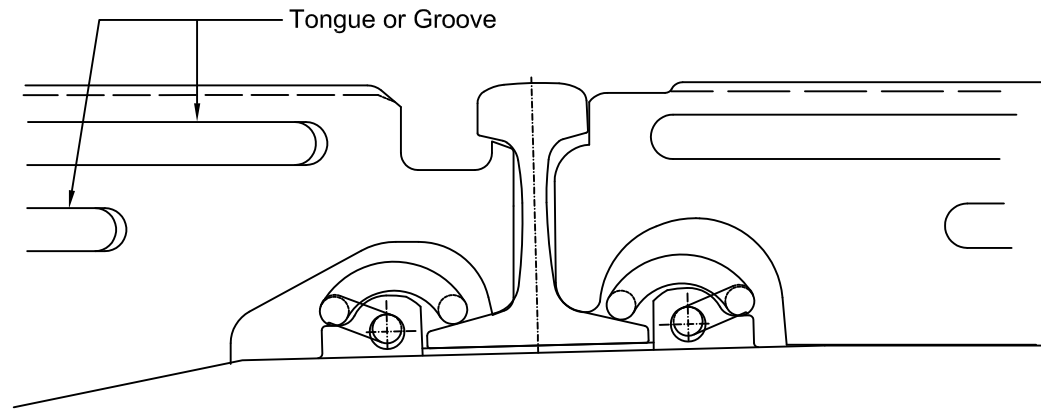
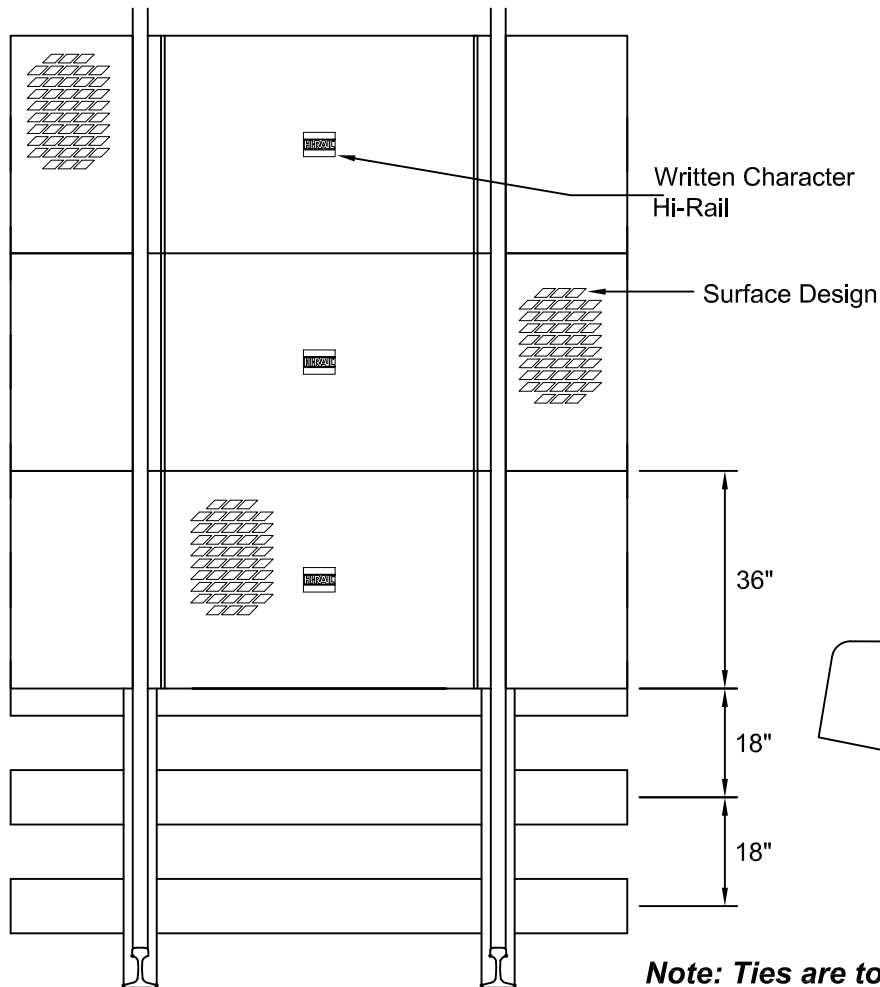


View from the Top



**Each 6 Ft. Section
Consists of:**
 2 GaugePad
 4 Field Pads
 4 Stabilizer Rods

Note: Ties are to be spaced 18" on center through the crossing.



HiRAIL

HiRAIL Corporation

Full Depth Rubber
 Concrete Ties with Stabilizer Rods

Drwg: System Conc Ties Rod	Drawn: wjb 012805	Rev.
	Rev.	Rev.
	Rev.	Rev.