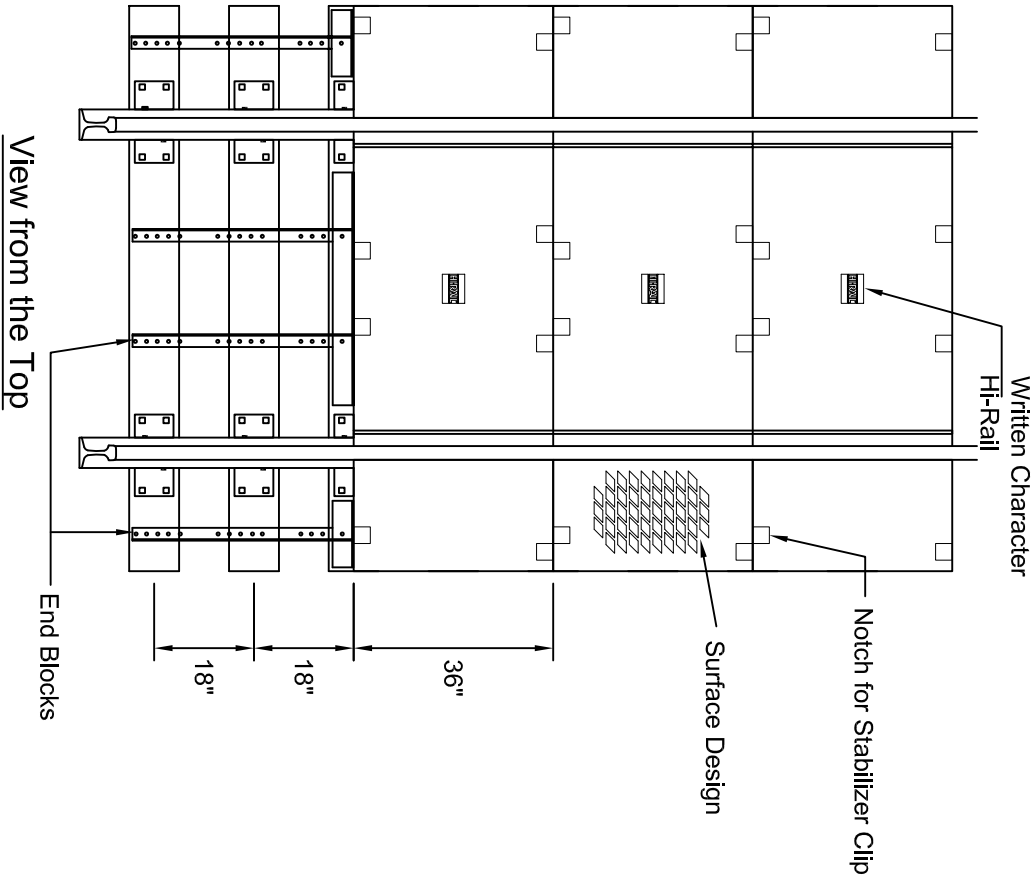
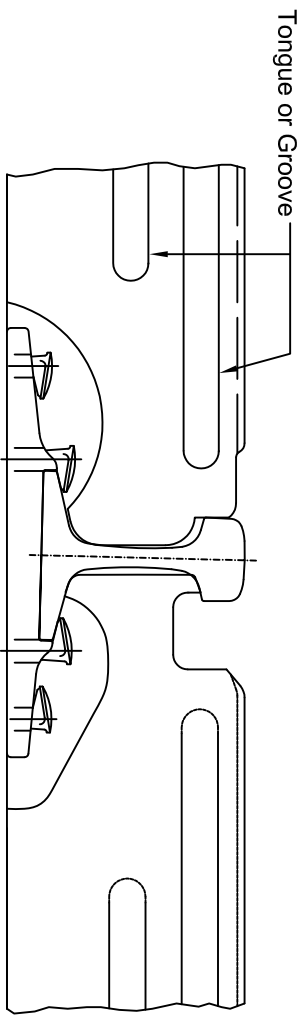
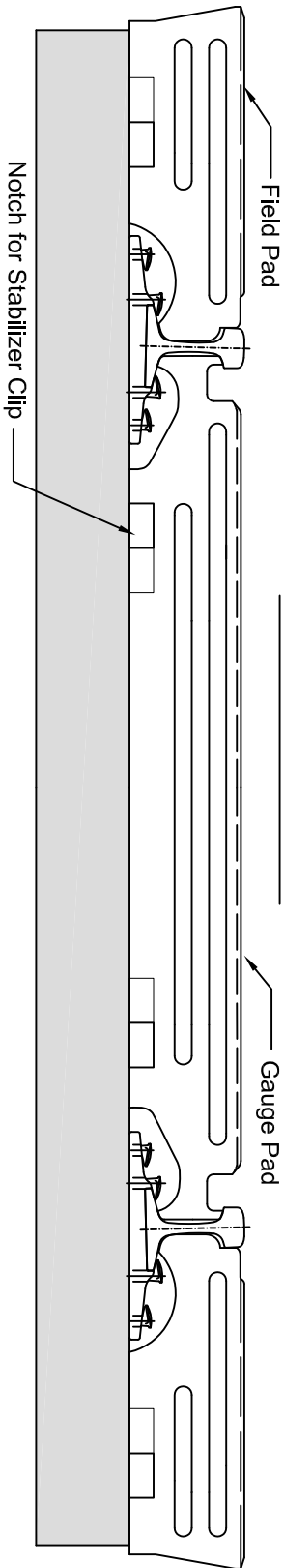
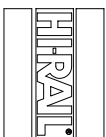


Cross Sectional View



View from the Top

Each 3 Ft. Section
Consists of:
 1 GaugePad
 2 Field Pads



Note: Tie are to be spaced 18" on center through the crossing.

HIRAIL
 Corporation

Full Depth Rubber
 System Drawing, Wood Ties

Drawn: wjb 011106	Rev.
Rev. wjb 120407	Rev.
Rev.	Rev.

Drwg: No FB
 System Wood Ties